

LOADER BACKHOE ATTACHMENTS



www.amiattachments.com

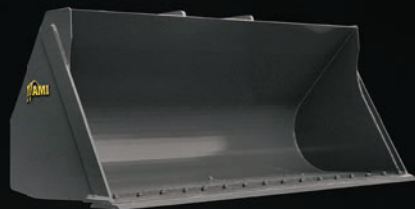
AMI
ATTACHMENTS
20
YEARS
EST. 2001

LOADER COUPLERS



OIL QUICK COUPLER

LOADER BUCKETS



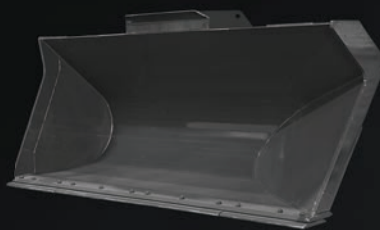
GENERAL PURPOSE BUCKET



LIGHT MATERIAL BUCKET



AXIS TILT HIGH DUMP BUCKET COUPLER



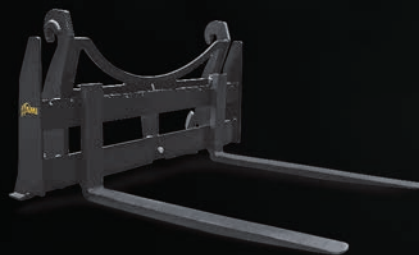
SIDE DUMP BUCKET



GARBAGE GRAPPLE BUCKET

STRENX
STRENGTH IN DESIGN

LOADER FORKS



FORK RAKE

LOADER BOOM POLE



HYDRAULIC BOOM POLES

STRENX
STRENGTH IN DESIGN

SNOW BLADE

REACTOR
FLUID EDGE



4-IN-1 ANGLE BLADE (FLUID EDGE)

BACKHOE COUPLERS

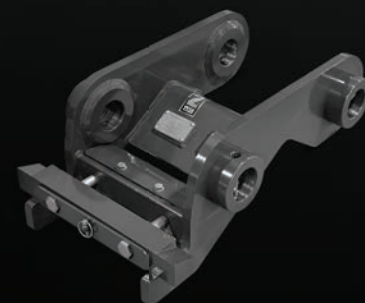


HYDRAULIC PIN GRAB COUPLER

STRENX
STRENGTH IN DESIGN



POWERTILT HYDRAULIC PIN GRAB COUPLER



MECHANICAL WEDGE COUPLER

STRENX
STRENGTH IN DESIGN

COUPLERS CONTINUED



MECHANICAL PIN GRAB COUPLER

STRENX
HYDRO-METAL

BACKHOE BUCKETS



HEAVY DUTY DIGGING BUCKET



ROTARY TILT DITCH CLEANING BUCKET

STRENX **HARDOX**
HYDRO-METAL



DITCH CLEANING BUCKET



JAWBONE BUCKET



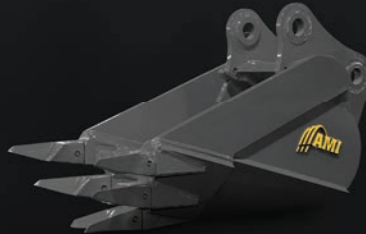
COMPACT GRAPTOR® BUCKET POWERED BY RAMCAM™

STRENX **HARDOX**
HYDRO-METAL

BACKHOE RAKES



GRAVE STYLE BUCKET



V-BOTTOM BUCKET



ROOT RAKE

BACKHOE RIPPERS



FROST RIPPER

BACKHOE GRAPPLES



DANGLING ROTATING UTILITY GRAPPLE

QUALIFIED MEMBER **1ST** DUAL MEMBER WORLDWIDE
HARDOX STRENX FOR ALL STEEL ATTACHMENTS

2 YEAR
WARRANTY



AMI Attachments is a certified member of the Hardox in my Body® program. This strict accreditation means that we provide our customers with buckets manufactured from genuine wear-resistant steel that sets the standard worldwide for being harder, tougher and lighter.

In the quest for stronger and lighter products, AMI Attachments relies on Strenx® high-performance structural steel. Working with Strenx® steel makes our attachments stronger, lighter, safer, more competitive and more sustainable.



Authorized Dealer



1.800.556.9452

Phone: (519) 699-0387 Fax: (519) 699-0440
1270 Geddes St., Hawkesville, ON, Canada N0B 1X0

www.amiattachments.com



#amiattachments

REVISED MARCH 2024
EECI 240385 PRINTED IN CANADA

AMI Attachments reserves the right to add, alter or discontinue products shown, including model specifications, without notice. Pins shown with products are available as an option. Copyright 2023 AMI Attachments Inc.